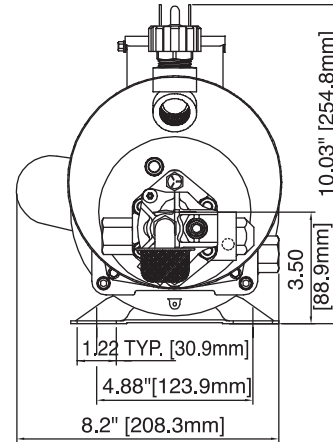
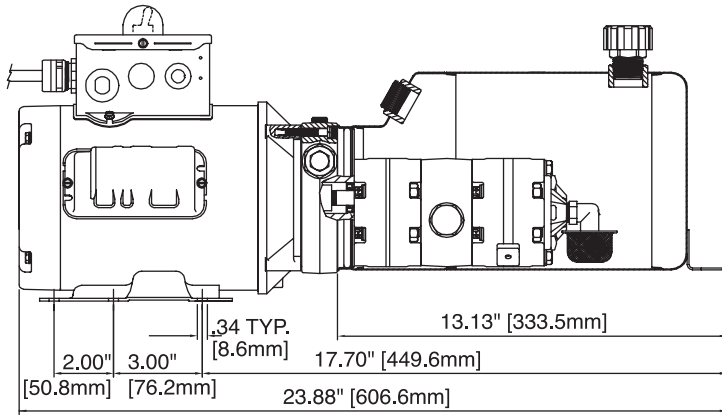


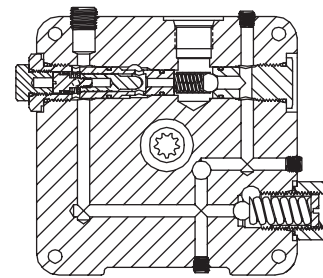
**AC-40FC**

# AC 115V 1PH FILTER CRUSHER POWER EXTEND/GRAVITY RETURN

Incorporates a high-low pump for maximum output of oil for a fast extension of the cylinder, as well as high pressure/low volume flow for the work portion of the cycle. Use with single-acting spring return cylinder.



UNIT SPECIFICATION		HYDRAULIC CIRCUIT
Motor	115V AC, 1 HP, 3450 RPM, 1 PH, 60Hz, Tenv	
Pump	A.F.C. 0.8 & 2.0 CC/Rev. Duplex W/Unload Set At 60 Bar (900 PSI)	
Relief	Adj. Set At 4000 PSI (275.9 Bar)	<b>ELECTRICAL CIRCUIT</b> 
Endhead	3/4-16 SAE Pressure-Return Port (2) 3/8-16 Tap X .50 Deep Mtg. Hole	
Tank	6 Qt. Horiz. Mounting Steel Tank W/ 3/8 NPT Breather-Filler Port	
Valving	Relief, Check & Pilot Operated Normally Open Shuttle Valve	
Wiring	Momentary On Switch 8 Ft. 115V Cord	



ENDHEAD SECTION

AC-40FC	ITEM	DESCRIPTION	P/N	QTY.
	1	Electric Switch Assy.	S6-2000-96	1
	2	Cord Assy.	E4-1005-54	1
	3	Motor 115/230V AC	2781-AC	1
	4	M6 x 1.0 - 35MM SHCS	3009-AA	4
	5	Hi-Collar Lockwasher	3020-AA	4
	6	Coupling	1118-AA	1
	7	Shuttle Valve Assy.	S3-1025-08	1
	8	Reservoir O-Ring	G1-1073-48	1
	9	Washer	1261-BA	2
	10	Bolt 5/16-24 x 7.00" Hex	F1-1057-00	2
	11	Pump O-Ring Kit	K-40	2
	12	Pump Assy.	KP08	1
	13	Pump Assy.	KP20	1
	14	Unload Assy.	U-06	1
	15	Reservoir	KR41	1
	16	Reservoir Screw	F2-1170-31	4
	17	Adj. Relief Valve Assy.	RV-2	1
	18	Breather	1683-AB	1
	19	Valve Assy. Check N3	2289-AA	1
	20	Spring & Ball	S1-1008-03	1
	21	Spring Retainer	W6-1001-02	1
	22	Plug 1/4 NPT	1215-AA	1
	23	Inlet Plumbing Kit	K-233	1
	24	Filter	1611-AA	1
	25	Plug 3/4 NPT	1896-AA	1